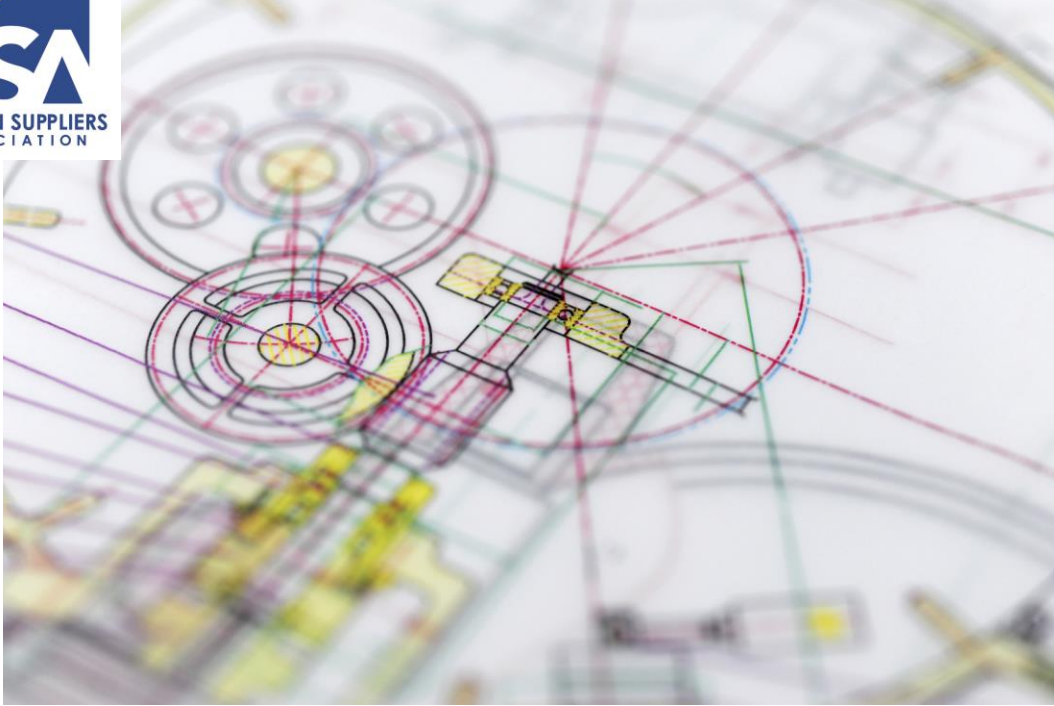


FAA AC 00-56
ASA-100 ACCREDITED



Seginus Inc. is pleased to introduce 300SGL1103-8EH, 300SGL1103-4EH, 300SGL1103-14EH, 400SG1103-12EH, 150SG1103-2EH, & 150SG1103-7EH **Drive Shaft Assemblies**

FAA PMA

OEM Part Numbers:

Various – See Attached Tables A & B

PMA Part Numbers:

Various – See Attached Tables A & B

Quantity Per Unit:

One

Installation:

Various Starter-Generator Models – See Tables A & B

CMM Reference:

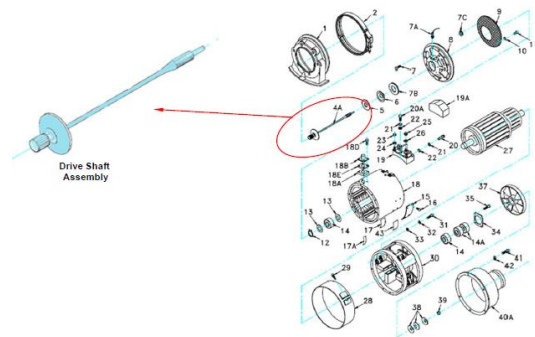
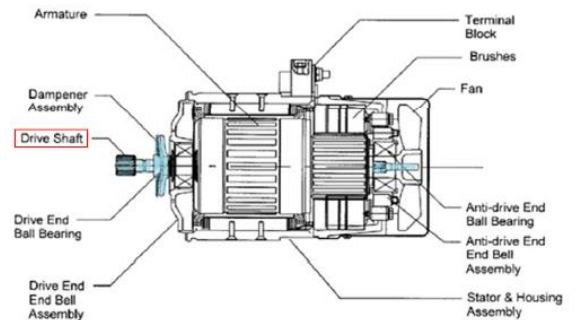
Various – See Attached Tables A & B

The Drive Assembly **P/Ns referenced above** is an article of various Starter-Generator(s) manufactured by Skurka Aerospace Inc, and Honeywell. The Drive Shaft Assemblies have eligibility installation on various Series Aircraft. See Attached Tables C, D, and E.

Seginus Inc has released the following FAA PMA replacement part to aid in your cost reduction programs when maintaining your Skurka-Aerospace Inc. and Honeywell Starter-Generators.

Various P/Ns referenced above Drive Shaft Assemblies

For additional information, contact our USA offices or your regional distributor.



Scan for more information or log on www.seginusinc.com

114 Kirkland Circle
Suite B
Oswego, IL 60543

Tel: 630-800-2795
Fax: 630-800-2097

Also check out our company page on LinkedIn.



| Skurka CMM | Drive Shaft Assembly P/N's | Starter-Generator Models | |
|---------------|----------------------------|--|--|
| TM101 Rev. 14 | 150SG1103-2 | 150SG115Q 150SG117Q 150SG123Q 150SG144Q | 150SG125Q-2 150SG117Q-3 150SG117Q-4 |
| | 150SG1103-7 | 150SG122Q | |
| TM109 Rev. 8 | 300SGL1103-4 | 300SGL115Q 300SGL126Q 300SGL138Q-2 300SGL138Q-5 | 300SGL145Q 300SGL146Q 300SGL152Q |
| | 300SGL1103-8 | 300SGL129Q 300SGL129Q-2 | 300SGL129Q-3 |
| | 300SGL1103-14 | 300SGL138Q-4 | 300SGL157Q |
| TM110 Rev. 7 | 400SG1103-12 | 400SG115Q 400SG123Q 400SG142Q 400SG163Q | 400SG168Q 400SG157Q 400SG166Q 400SG147Q |

Table A – Identified Drive Shaft Assembly P/N's & Applicable Skurka Starter-Generator Models

| Honeywell CMM | Drive Shaft Assembly P/N's | Starter-Generator Models | |
|---------------|----------------------------|--------------------------|--------------------|
| 1152400 | 400SG1103-12 | 1152400-2 Series 1 | 1152400-4 Series 2 |
| | | 1152400-3 Series 1 | 1152400-5 Series 1 |
| | | 1152400-4 Series 1 | 1152400-5 Series 2 |
| 1152106 | 400SG1103-12 | 1152106-2 Series 1 | 1152106-3 Series 1 |
| | | 1152106-2 Series 2 | 1152106-3 Series 2 |

Table B – Identified Drive Shaft Assembly P/N's & Applicable Honeywell Starter-Generator Models

The following Tables C, D, and E depict installation Eligibility for 150, 300, and 400 Series Drive Shaft Assemblies. Contained in each table is included the applicable aircraft, 14CFR Part and TCSS with revision.

| Starter Model | Drive Shaft Assembly | Aircraft | Model | Document | Part | TCDS | Rev | | | |
|---------------|----------------------|--------------------------------|---|----------|------|---|----------|-------|-------|----|
| 150SG122Q | 150SG1103-7 | Airbus Helicopter | AS350C AS350D AS350D1 AS350B AS350B1 AS350B2 AS350BA AS350B3 | TM101 | 27 | H9EU | 23 | | | |
| | | | SA365N | | | H10EU | 20 | | | |
| 150SG117Q | 150SG1103-2 | | AS355E AS355F AS355F1 AS355F2 AS355N AS355NP | | | | | H11EU | 11 | |
| | | Airbus Helicopters Duetschland | BO-105A BO-105C BO-105S | | | | | H3EU | 23 | |
| 150SG123Q | | Bell | 206A 206B 206L | | | | | H2SW | 48 | |
| 150SG117Q | | Agusta | A109 A109A A109C | | | | | H7EU | 25 | |
| 150SG117Q-4 | | Enstrom | 480B | | | | | H1CE | 36 | |
| 150SG117Q | | | MDHI (Hughes) | | | 369H 369HM 369HS 369HE 369D | SH1142EA | | H3WE | 26 |
| | | | Nomad TC Pty Ltg | | | N22B N22A N22S | | | A7PC | |
| | | | B-N Group Ltd | | | BN2T | TM101 | 23 | A17EU | 18 |
| | | | Vulcan Air S.p.A. | SF600 | | | A61EU | 3 | | |

Table C – Applicable Starter-Generator Models for Drive Shaft Assembly 150 Series

| Starter Model | Drive Shaft Assembly | Aircraft | Model | Document | Part | TCDS | Rev |
|---------------|----------------------|-------------------|-------------|----------|----------------|----------|-------|
| 300SGL129Q | 300SGL1103-8 | Textron Aviation | 525 | TM109 | 23 | A1W1 | 24 |
| 300SGL129Q-2 | | | 560 | | 25 | A22CE | 67 |
| 300SGL138Q-2 | 300SGL1103-4 | | 560XL | | | | |
| 300SGL138Q-5 | | | 200 208B | | 25 | A22CE | 67 |
| 300SGL145Q | | | 560XL | | 29 | R00002RD | 13 |
| 300SGL138Q-4 | 300SGL1103-14 | | Agusta | | AB139 AW139 | 23 | A86EU |
| 300SGL146Q | 300SGL1103-4 | Aeromacchi S.p.A. | S.211A | | 23 | A60EU | 26 |
| 300SGL115Q | 300SGL1103-4 | Socata | TBM700 | | 23 | A60EU | 26 |
| 300SGL126Q | 300SGL1103-4 | | | | | | |

Table D – Applicable Starter-Generator Models for Drive Shaft Assembly 300 Series

| Starter Model | Drive Shaft Assembly | Aircraft | Model | Document | Part | TCDS | Rev |
|--------------------|----------------------|------------|------------------|----------|------|-------|-----|
| 400SG142Q | 400SG1103-12 | Piaggio | P-180 | TM110 | 23 | A59EU | 22 |
| 1152106-2 Series 1 | 400SG1103-12 | Bombardier | DHC-8-400 Series | 1152106 | 25 | A13NM | 20 |
| 1152106-2 Series 2 | | | | | | | |
| 1152106-3 Series 1 | | | | | | | |
| 1152106-2 Series 2 | | | | | | | |
| 1152400-2 Series 1 | | | | 1152400 | | | |
| 1152400-3 Series 1 | | | | | | | |
| 1152400-4 Series 1 | | | | | | | |
| 1152400-4 Series 2 | | | | | | | |
| 1152400-5 Series 1 | | | | | | | |
| 1152400-5 Series 2 | | | | | | | |

Table E – Applicable Starter-Generator Models for Drive Shaft Assembly 400 Series