

Seginus Inc. is pleased to introduce 14330-235EH, **Slide Plate**.

FAA PMA

OEM Part Number:
14330-235

PMA Part Number:
14330-235EH

Quantity Per Unit:
One Each

Installation:
Vacuum Toilet Assemblies
& Galley Waste Disposal
Systems

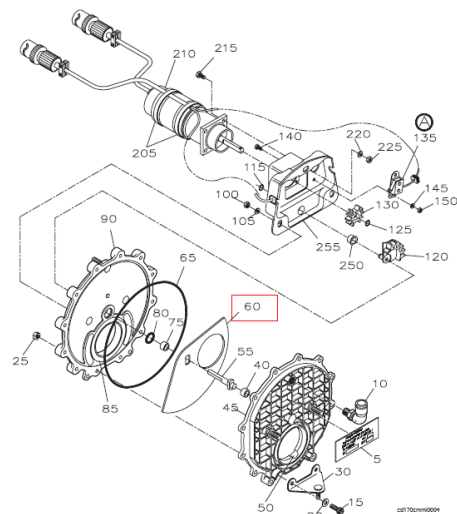
CMM Reference:
38-30-20

The Slide Plate is used on various Zodiac Water & Waste Aerosystems ("Zodiac") vacuum flushing toilet assemblies. The Slide Plate is a subassembly of the Orbital Flush Valve. The Orbital Flush Valve is a subcomponent of several Zodiac vacuum flushing toilets. The Slide Plate has installation eligibility on Airbus, Boeing series aircraft, and Embraer E170 & E190 series Aircraft.

Seginus Inc. has released the following FAA PMA replacement parts to aid in your cost reduction programs when maintaining your Vacuum Toilet assemblies and Galley Waste Disposal systems.

Slide Plate 14330-235EH

For additional information contact our USA offices or your regional distributor.



Scan for more information or log on www.seginusinc.com

114 Kirkland Circle
Suite B
Oswego, IL 60543

Tel: 630-800-2795
Fax: 630-800-2097

Also check out our company page on LinkedIn.

