

Seginus Inc. is pleased to introduce 9200-116-0EH, **O-Ring**.

**FAA
PMA**

OEM Part Number:
9200-116-0

PMA Part Number:
9200-116-0EH

Quantity Per Unit:
One Each

Installation:
Electrical Metallic Detector

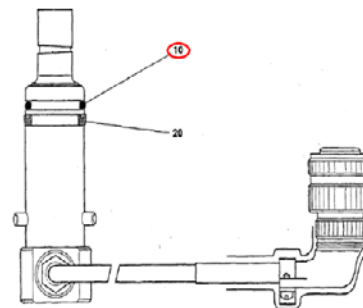
CMM Reference:
79-21-57, CFMI-TP-CM.434

The O-Ring P/N 9200-116-0 described here is a part of the Electrical Magnetic Detector used in CFM56-5B, 5C aircraft engines. CFM56-5B engines are used in all models of Airbus A320 family and CFM56-5C engines power Airbus' long-range A340-200 and -300 airliners. The Electrical Magnetic Detector uses a magnet to catch ferromagnetic metal particles in suspension in the engine's lubrication system.

Seginus Inc. has released the following FAA PMA replacement parts to aid in your cost reduction programs when maintaining your Electrical Metallic Detectors.

O-Ring 9200-116-0EH

For additional information contact our USA offices or your regional distributor.



Installation of O-Ring in Electrical Metallic Detector



Scan for more information or log on www.seginusinc.com

114 Kirkland Circle
Suite B
Oswego, IL 60543

Tel: 630-800-2795
Fax: 630-800-2097

Also check out our company page on LinkedIn.

