

Seginus Inc. is pleased to introduce 9920-020000-01EH & 9135-000000-05AEH **Sealing Shaft and Plunger Assemblies.**

FAA PMA

OEM Part Numbers:
9920-020000-01,
9135-000000-05A

PMA Part Numbers:
9920-020000-01EH,
9135-000000-05AEH

Quantity Per Unit:
One (1)

Installation:
Various Airbus Aircraft

CMM Reference:
383260-WV9940-00,
383260, 383225, 217210

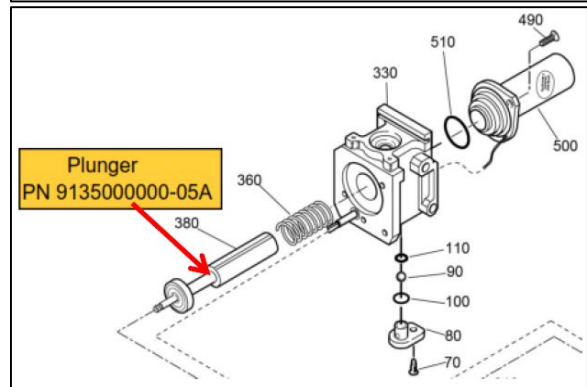
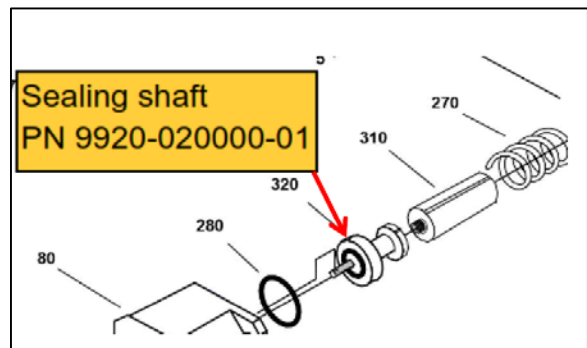
38-31-53 IPC

The Sealing shaft and Plunger are both used in water valve assemblies manufactured by AOA Luftfahrtgeräte Gauteng of Germany. The water valves are solenoid operated valves which control the water supply to the toilet assembly spray ring.

Seginus Inc. has released the following FAA PMA replacement parts to aid in your cost reduction programs when maintaining your Water Valve Assemblies.

Sealing Shaft & Plunger Assemblies 9920-020000-01EH & 9135-000000-05AEH

For additional information contact our USA offices or your regional distributor.



Scan for more information or log on www.seginusinc.com

114 Kirkland Circle
Suite B
Oswego, IL 60543

Tel: 630-800-2795
Fax: 630-800-2097

Also check out our company page on LinkedIn.

