

Seginus Inc. is pleased to introduce P723526EH **Lock Washer**.

**FAA
PMA**

OEM Part Numbers:
P723526

PMA Part Numbers:
P723526EH

Quantity Per Unit:
2

Installation:
ATR42-Series, ATR72-Series
Dornier Model 328-100,
Dornier Model 328-300

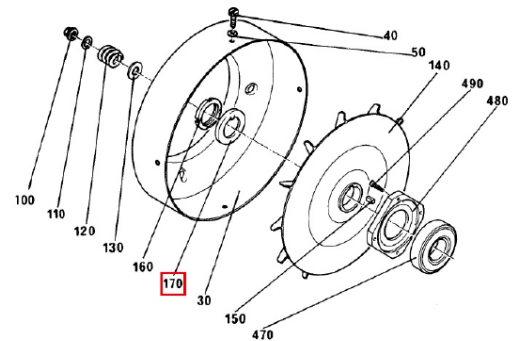
CMM Reference:
8160-121, 8260-121,
8260-123

PMA Replacement Lock Washer P/N P723526EH is a onetime use component designed to secure spanner nuts. The Lock Washer is used to secure the Cooling Fan at the rear of the Thales Starter Generator and is part of the torque shaft vibration damper assembly at the front of the LRU. This unit is installed on ATR-42 and ATR-72 and Dornier Model 328-100 and Dornier Model 328-300 aircraft.

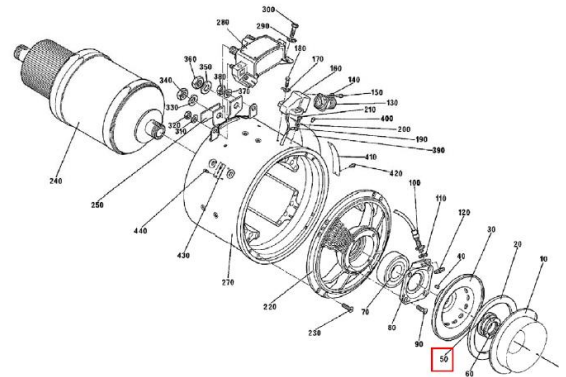
Seginus Inc. has released the following FAA PMA replacement parts to aid in your cost reduction programs when maintaining your Cooling Fan Assemblies.

Lock Washer P723526EH

For additional information contact our USA offices or your regional distributor.



Cooling Fan Installation



Vibration Damper Installation



Scan for more information or log on www.seginusinc.com

114 Kirkland Circle
Suite B
Oswego, IL 60543

Tel: 630-800-2795
Fax: 630-800-2097

Also check out our company page on LinkedIn.

