

Seginus Inc. is pleased to introduce the 9DBA30H08-03PNEH
Electrical Connector

**FAA
PMA**

OEM Part Numbers:
9DBA30H08-03

PMA Part Numbers:
9DBA30H08-03EH

Quantity Per Unit:
1

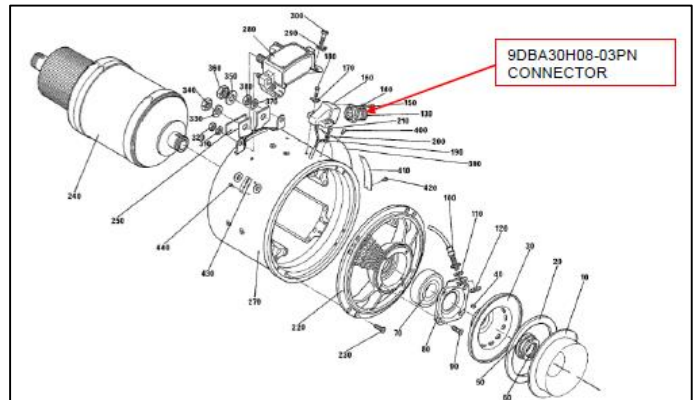
Installation:
Starter Generator

CMM Reference:
Thales 24-32-61

The 9DBA30H08-03PNEH electrical connector is eligible for installation on Various ATR Aircraft Starter Generators

Embraer Model Eligibility:
ATR42 & ATR72

For more specific model eligibility details, please see the supplements section of our website. For sales information, please contact your regional distributor or our USA offices.



Scan for more information or log on www.seginusinc.com

114 Kirkland Circle
Suite B
Oswego, IL 60543

Tel: 630-800-2795
Fax: 630-800-2097

Also check out our company page on LinkedIn.

