

**Seginus Inc.** is pleased to introduce FAA PMA approved replacement **Cable Assemblies** for Cessna Aircraft.

## FAA PMA

**OEM Part Numbers:**  
S2837-1, S2837-2,  
S2814-1, S2814-2

**PMA Part Numbers:**  
S2837-1EH, S2837-2EH,  
S2814-1EH, S2814-2EH

**Quantity Per Unit:**  
S2837-1EH, S2837-2EH,  
S2814-1EH, S2814-2EH  
1 EACH

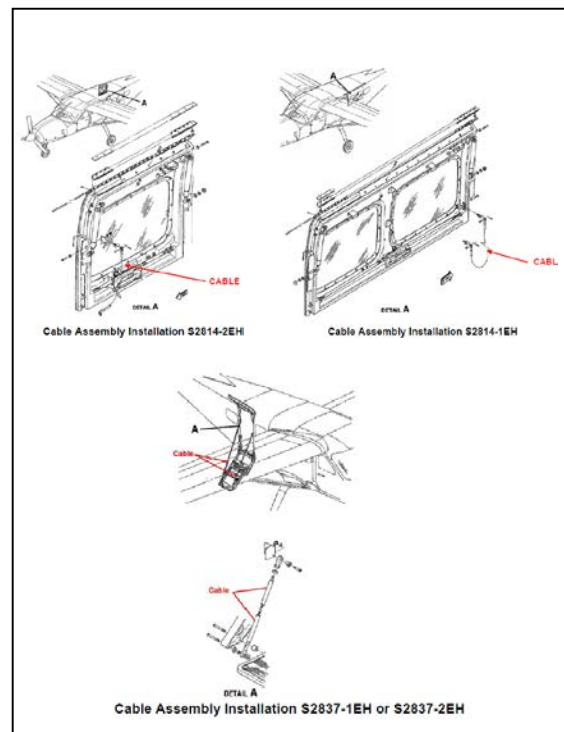
**Installation:**  
Used in Cargo Door,  
Passenger Door, and  
Step Installation

The Seginus Inc. Cable Assemblies are applicable for installation on the following Cessna Models:

**Model Eligibility:**

Cessna 208  
Cessna 208B  
See: [www.seginusinc.com](http://www.seginusinc.com)  
Supplement 24

For more specific model eligibility details, please see the supplements section of our website. For sales information, please contact your regional distributor or our USA offices.



Scan for more information or log on [www.seginusinc.com](http://www.seginusinc.com)

114 Kirkland Circle  
Suite B  
Oswego, IL 60543

Tel: 630-800-2795  
Fax: 630-800-2097

Also check out our company page on LinkedIn.

