

Seginus Inc. is pleased to introduce FAA PMA approved replacement part for Goodrich, Thales, and Skurka aircraft Starter-Generators.

The Seginus Inc. Magnetic Speed Pick-Up is applicable for installation on the following LRU Models:

Goodrich: 23080-Series, 23081-Series, 23085-Series, 23088-Series, 23095-Series

Thales: 8260-121, 8160-121

Skurka: 200SG-Series, 300SG-Series, 400SG-Series

Model Eligibility:

See: www.seginusinc.com
Supplement 39-Expanded model eligibility to include Dornier Model 328-300

For more specific model eligibility details, please see the supplements section of our website. For sales information please contact your regional distributor or our USA offices.

FAA PMA

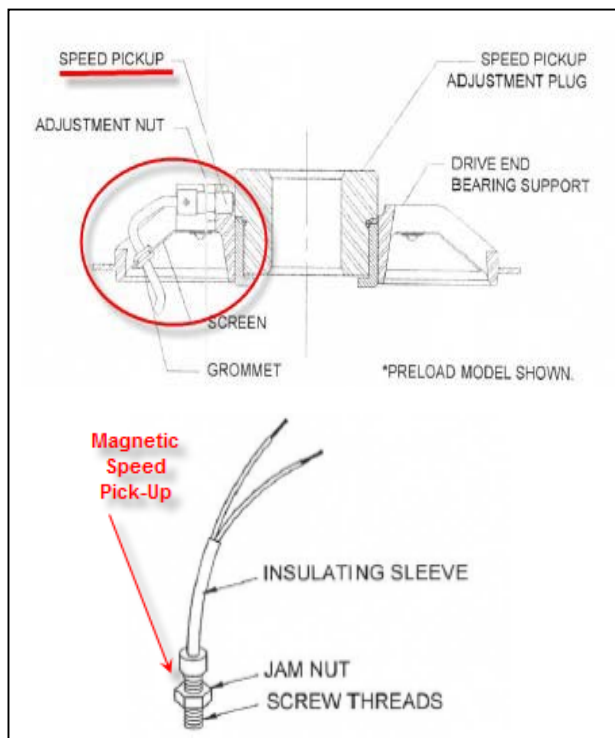
OEM Part Numbers:
23072-1400, P609742,
300SG1222-2

PMA Part Numbers:
EHSP-1

Quantity Per Unit:
1

Installation:
Various Aircraft starter
Generators

CMM Reference:
Various



Scan for more information or log on www.seginusinc.com

114 Kirkland Circle
Suite B
Oswego, IL 60543

Tel: 630-800-2795
Fax: 630-800-2097

Also check out our company page on LinkedIn.

