

**Seginus Inc.** is pleased to introduce the EHRP607965 **Carbon Brush**.

# FAA PMA

OEM Part Numbers:  
P607965

PMA Part Numbers:  
EHRP607965

Quantity Per Unit:  
8

Installation:  
DC Starter-  
Generator Assembly  
8260-121,-123

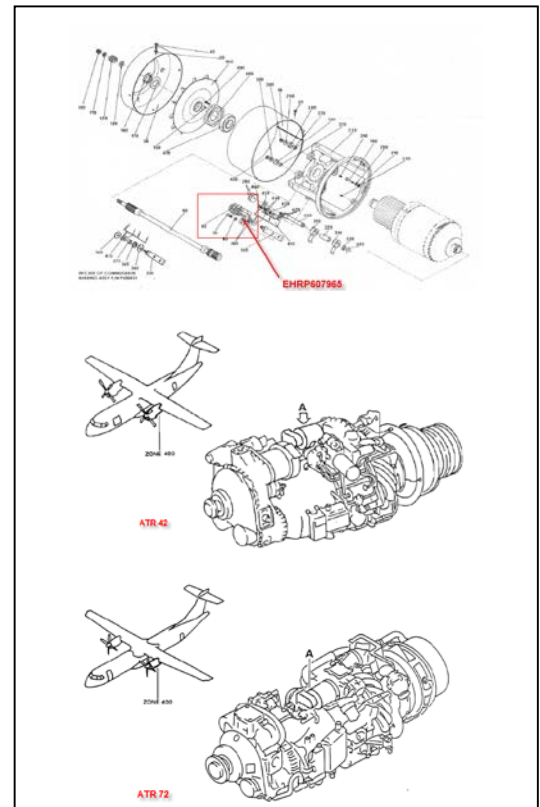
CMM Reference:  
Thales Avionics  
Electrical Systems  
24-32-61

The EHRP607965 Carbon Brush is eligible for installation on ATR aircraft DC Starter-Generators. The Starter-Generator Assembly houses eight (8) brushes. Brushes are eligible for installation on Thales Avionics Electrical Systems DC Starter-Generator, p/n 8260-121,-123

**Model Eligibility:**

ATR42-200, ATR42-300, ATR42-320,  
ATR42-500, ATR72-101, ATR72-102,  
ATR72-201, ATR72-202, ATR72-212,  
ATR72-212A

For more specific model eligibility details, please see the supplements section of our website. For sales information, please contact your regional distributor or our USA offices.



Scan for more information or log on [www.seginusinc.com](http://www.seginusinc.com)

114 Kirkland Circle  
Suite B  
Oswego, IL 60543

Tel: 630-800-2795  
Fax: 630-800-2097

Also check out our company page on LinkedIn.

