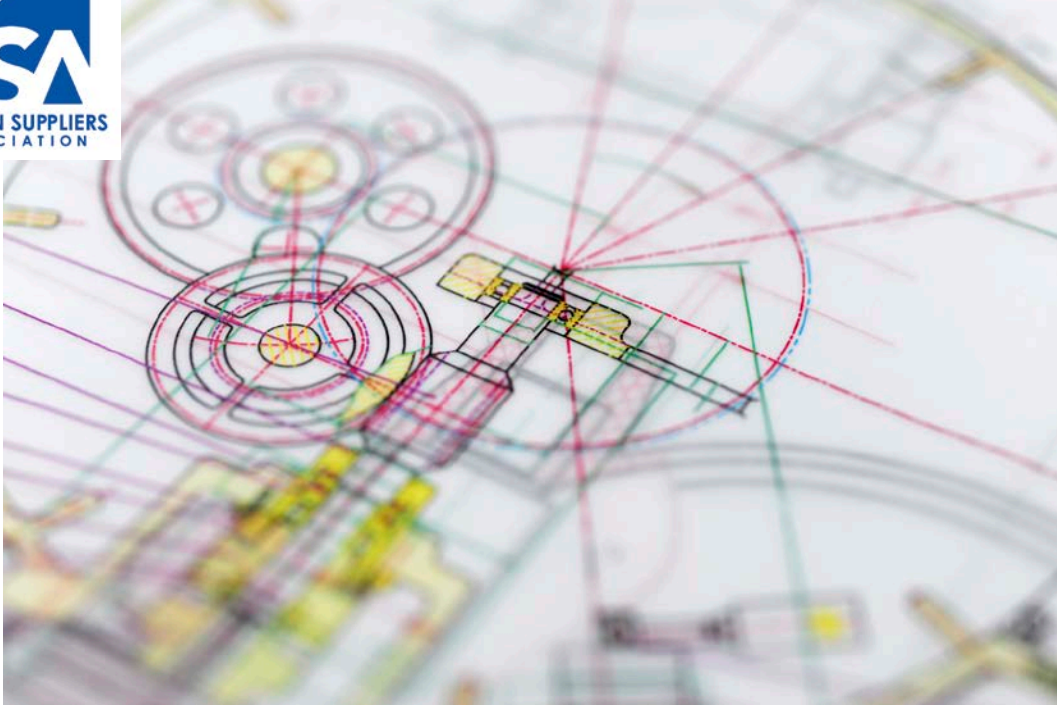


FAA AC 00-56
ASA-100 ACCREDITED



Seginus Inc. is pleased to introduce 150SG1009-5EH, 150SG1009-20XL2EH, 200SGL1009EH, 200SGL1009-3EH, 200SGL1009-7EH, 200SGL1009-10X2EH, 250SG1009EH, 300SGL1009-5EH, 400SG1009-7EH, 400SG1009-14EH Brushes

FAA PMA

OEM Part Numbers:
Various – See Attached
Table G

PMA Part Numbers:
Various – See Attached
Table G

Quantity Per Unit:
Various

Installation:
Various Starter-
Generators – See
Tables A - F

CMM Reference:
Various – See Attached
Tables A - F

The Brushes
P/Ns referenced above are
articles of various Starter-
Generator(s) manufactured by
Skurka Aerospace Inc, and
Honeywell. The Brushes have
eligibility installation on various
Series Aircraft. See Attached
Table G.

Seginus Inc has released the
following FAA PMA replacement
part to aid in your cost reduction
programs when maintaining your
Skurka-Aerospace Inc. and
Honeywell Starter-Generators.

Various P/Ns referenced above Brushes

For additional information, contact
our USA offices or your regional
distributor.

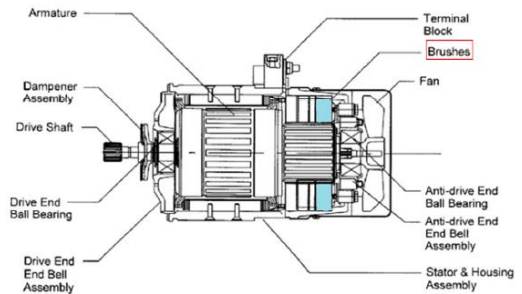


Figure 1A -- Typical Starter Generator Assembly section

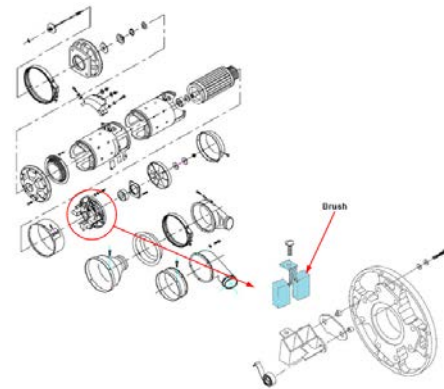


Figure 1B -- CMM/IPC excerpt showing the typical installation of the Brush in the Starter Generator



Scan for more
information or log on
www.seginusinc.com

114 Kirkland Circle
Suite B
Oswego, IL 60543

Tel: 630-800-2795
Fax: 630-800-2097

Also check out our
company page on
LinkedIn.





The subject of this PMA package is for articles of Skurka Aerospace Inc. and Honeywell Starter-Generators. The O.E.M articles are as identified in Table A.

P/N 150SG1009-5	P/N 250SG1009
P/N 150SG1009-20XL2	P/N 300SGL1009-5
P/N 200SGL1009	P/N 400SG1009-7
P/N 200SGL1009-3	P/N 400SG1009-14
P/N 200SGL1009-7	
P/N 200SGL1009-10X2	

Table A – Brush Part Number

The IPC/IPL section of Skurka Overhaul Manual, TM101 and TM102, identifies the Brush P/N 150SG1009-5 as a component of the Skurka Starter-Generator P/N's listed in table A1.

Skurka CMM	Starter-Generator		
TM101 Rev. 14	150SG111Q	150SG114Q,	150SG115Q,
	150SG116Q,	150SG117Q,	150SG117Q-3,
	150SG117Q-4,	150SG118Q,	150SG119Q,
	150SG120Q,	150SG122Q,	150SG125Q,
	150SG125Q-2,	150SG144Q	
TM102 Rev. 5	160SG137Q-2,	160SG139Q-2,	160SG140Q,
	160SG141Q		

Table A1 – Applicable Starter-Generator Models for Brush P/N 150SG1009-5

The IPC/IPL section of Skurka Overhaul Manual, TM101 of the Service Bulletin SB150SG127-1 and TM102, identifies the Brush P/N 150SG1009-20XL2 as a component of the Skurka XL Series Starter-Generator P/N's listed in table A2.

Skurka CMM	Starter-Generator- XL series		
TM101 Rev. 14	150SG123Q		
TM102 Rev. 5	160SG136Q,	160SG137Q,	160SG139Q,
	160SG142Q		

Table A2 – Applicable Starter-Generator Models for Brush P/N 150SG1009-20XL2

The IPC/IPL section of Skurka Overhaul Manual, TM105A, identifies the Brush P/N 200SGL1009 as a component of the Skurka Starter-Generator P/N's listed in table B1.

Skurka CMM	Starter-Generator		
TM105A Rev. 11	200SGL111Q,	200SGL111Q-2,	200SGL111Q-3,
	200SGL112Q,	200SGL114Q,	200SGL115Q,
	200SGL115Q-2,	200SGL117Q,	200SGL118Q,
	200SGL119Q,	200SGL119Q-2,	200SGL120Q,
	200SGL121Q,	200SGL124Q,	200SGL129Q,
	200SGL129Q(4),	200SGL129Q(8),	200SGL130Q,
	200SGL131Q,	200SGL131Q-2,	200SGL132Q,
	200SGL142Q,	200SGL144Q,	200SGL145Q,
	200SGL147Q		

Table B1 – Applicable Starter-Generator Models for Brush P/N 200SGL1009

The IPC/IPL section of Skurka Overhaul Manual, TM105A, identifies the Brush P/N 200SGL1009-3 as a component of the Skurka XL Series Starter-Generator P/N's listed in table B2.

Skurka CMM	Starter-Generator - XL series		
TM105A Rev. 11	200SGL111Q,	200SGL115Q,	200SGL115Q-2,
	200SGL118Q,	200SGL119Q,	200SGL119Q-2,
	200SGL129Q,	200SGL129Q(1),	200SGL129Q(3),
	200SGL129Q(5),	200SGL130Q,	200SGL131Q,
	200SGL142Q,	200SGL147Q	

Table B2 – Applicable Starter-Generator Models for Brush P/N 200SGL1009-3



The IPC/IPL section of Skurka Overhaul Manual, TM105A, identifies the Brush P/N 200SGL1009-10X2 as a component of the Skurka XL2 Starter-Generator P/N's listed in table B3.

Skurka CMM	Starter-Generator - XL2 series		
TM105A Rev. 11	200SGL111Q,	200SGL111Q-3,	200SGL115Q,
	200SGL117Q,	200SGL118Q,	200SGL124Q,
	200SGL129Q,	200SGL129Q(4),	200SGL129Q(8),
	200SGL130Q,	200SGL132Q,	200SGL132Q-3,
	200SGL132Q-4,	200SGL132Q-5,	200SGL142Q,
	200SGL144Q,	200SGL147Q,	200SGL147Q-2,
	200SGL147Q-3,	200SGL151Q,	200SGL153Q

Table B3 – Applicable Starter-Generator Models for Brush P/N 200SGL1009-10X2

The IPC/IPL section of Skurka Overhaul Manual, TM105A, identifies the Brush P/N 200SGL1009-7 as a component of the Skurka XL2 Starter-Generator P/N's listed in table B4.

Skurka CMM	Starter-Generator - XL2 series only	
TM105A Rev. 11	200SGL111Q	200SGL118Q

Table B4 – Applicable Starter-Generator Models for Brush P/N 200SGL1009-7



The IPC/IPL section of Skurka Overhaul Manual, TM107, identifies the Brush P/N 250SG1009 as a component of the APC Starter-Generator P/N's listed in table C.

Skurka CMM	Starter-Generator		
TM109 Rev. 8	300SGL111Q-1	300SGL111Q-2	300SGL114Q
	300SGL115Q	300SGL116Q	300SGL116Q-2
	300SGL118Q	300SGL126Q	300SGL127Q-1
	300SGL127Q-2	300SGL127Q-3	300SGL127Q-4
	300SGL129Q	300SGL129Q-2	300SGL138Q-2
	300SGL138Q-4	300SGL138Q-5	300SGL139Q
	300SGL146Q	300SGL146Q-2	300SGL146Q-3
	300SGL150Q	300SGL153Q	300SGL157Q
	300SGL162Q	300SGL162Q-2	300SGL162Q-3

Table C – Applicable Starter-Generator Models for Brush P/N 250SGL1009

The IPC/IPL section of Skurka Overhaul Manual, TM109, identifies the Brush P/N 300SGL1009-5 as a component of the APC Starter-Generator P/N's listed in table D.

Skurka CMM	Starter-Generator		
TM109 Rev. 8	300SGL111Q-1	300SGL111Q-2	300SGL114Q
	300SGL115Q	300SGL116Q	300SGL116Q-2
	300SGL118Q	300SGL126Q	300SGL127Q-1
	300SGL127Q-2	300SGL127Q-3	300SGL127Q-4
	300SGL129Q	300SGL129Q-2	300SGL138Q-2
	300SGL138Q-4	300SGL138Q-5	300SGL139Q
	300SGL146Q	300SGL146Q-2	300SGL146Q-3
	300SGL150Q	300SGL153Q	300SGL157Q
	300SGL162Q	300SGL162Q-2	300SGL162Q-3

Table D – Applicable Starter-Generator Models for Brush P/N 300SGL1009-5



The IPC/IPL section of Honeywell CMM, 1152400, identifies the Brush P/N 400SG1009-7 as a component of the Honeywell Starter-Generator P/N's listed in table E.

Honeywell CMM	Starter-Generator	
1152400 Rev.11	1152106-2 Series 1	1152106-2 Series 2
	1152106-3 Series 1	1152106-3 Series 2

Table E – Applicable Starter-Generator Models for Brush P/N 400SG1009-7

The IPC/IPL section of Honeywell CMM, 1152400, identifies the Brush P/N 400SG1009-14 as a component of the Honeywell Starter-Generator P/N's listed in table F.

Honeywell CMM	Starter-Generator	
1152400 Rev.11	1152400-4 Series 1	1152400-4 Series 2
	1152400-5 Series 1	1152400-5 Series 2

Table F – Applicable Starter-Generator Models for Brush P/N 400SG1009-14



The following Table G depicts installation Eligibility for 150, 200, 300, and 400 Series Brushes Contained in each table is included the applicable aircraft.

Description	Article Number	Approved Replacement	Make/TCH Eligibility	Model/Series Eligibility
Brush	150SG1009-5EH	Skurka P/N 150SG1009-5	Airbus Helicopter	AS350C, AS350D, AS350D1, AS350B, AS350B1, AS350B2, AS350BA, AS350B3, SA365N
			Airbus Helicopter Duetschland	BO-105A, BO- 105C, BO-105S
			Bell	206A, 206B, 206L, 206L-1
			Agusta	A109, A109A, A109C
			Enstrom	480B
			MDHI	369H, 369HM, 369HS, 369HE, 369D
			Nomad TC Pty Ltg	N22B, 124A, N22S
			B-N Group Ltd	BN-2T, BN-2T-4R
			Vulcan Air S.p.A	SF600
Brush	150SG1009- 20XL2EH	Skurka P/N 150SG1009- 20XL2EH	Agusta	A109C, A109K
Brush	200SGL1009EH	Skurka P/N 200SGL1009EH	Airbus Helicopter	AS350C, AS350D, AS350D1, AS350B, AS350B1, AS350B2, AS350BA, AS350B3,
			MDHI	500N, 600N
			Bell	206L-1, 206L-3, 230, 430



The Affordable PMA Parts Company

			Agusta	A119, AW119 MKII,
			Sikorsky	S-76A, A-76C
			Textron Aviation	208, 208B
			Piper Aircraft	PA-46-5000TP, PA-42, PA-42-720, PA-42-1000
			Embraer	EMB-110P1, EMB-100P2
Brush	200SGL1009-3EH	Skurka P/N 200SGL1009-3EH	Airbus Helicopter	AS350C, AS350D, AS350D1, AS350B, AS350B1, AS350B2, AS350BA, AS350B3,
			Bell	206L-1
			MDHI	500N, 600N
			Agusta	A109, A119, AW119 MKII,
			Sikorsky	S-76A, A-76C
			Textron Aviation	208, 208B
			B-N Group Ltd	BN-2T, BN-2T-4R
			Piper Aircraft	PA-42, PA-42-720, PA-42-1000
			Embraer	EMB-110P1, EMB-100P2
Brush	200SGL1009-7EH	Skurka P/N 200SGL1009-7EH	MDHI	500N
			Bell	206L-1
			Embraer	EMB-110P1, EMB-100P2
Brush	200SGL1009-10X2EH	Skurka P/N 200SGL1009-10X2EH	Airbus Helicopter	AS350C, AS350D, AS350D1, AS350B, AS350B1, AS350B2,



The Affordable PMA Parts Company

				AS350BA, AS350B3,
			Bell	206L-1, 206L-3, 230, 430
			MDHI	500N, 600N
			Agusta	A109, A119, AW119 MKII,
			Sikorsky	S-76C
			Embraer	EMB-110P1, EMB- 100P2
Brush	250SG1009EH	Skurka P/N 250SG1009EH	Textron Aviation	99, 99A, A99, A99A, B99, C99, 100, A100, A100A, A100C, B100
			Thrush Aircraft	S2R-T65
			Piper Aircraft	PA-41P, PA-31, PA-31T, PA31T1,PA-31T2, PA31T3, PA-31- 300, PA-31-325, PA-31-350
			RUAG Aerospace	Dornier 228-100, Dornier 228-101, Dornier, 228-200, Dornier 228-201, Dornier 228-202 Dornier 228-212
			Aircraft Integrated Solutions	Ae270
Brush	300SGL1009-5EH	Skurka P/N 300SGL1009-5EH	Short Brothers	SD3-60, SD3-60 SHERPA,
			Viking Air Limited	DHC-7-1, DHC-7- 100 DHC-7-101, DHC-7-102, DHC- 7-103
			Aermacchi S.p.A	S211



The Affordable PMA Parts Company

			Bombardier	DHC-8-100 series, DHC-8-200 series, DHC-8-300 series, DHC-8-400 series,
			Socata	TBM7000
			Agusta	AB139, AW139
			Textron Aviation	525, 525A, 525B, 525C, 560, 560XL, 1900, 1900C, 1900C (C-12J), 1900D
Brush	400SG1009-7EH	Skurka P/N 400SG1009-7EH	Saab AB, Saab Aeronautics	340A (SAAB/SF340A), SAAB 340B
			Beechcraft Corporation	Hawker 750, Hawker 800
			Bombardier	DHC-8-400 series
			Embraer	EMB-120, EMB- 120RT, EMB-120ER, EMB-120FC, EMB120QC
			Learjet	Model 60
			Piaggio Aero	P-180
Brush	400SG1009-14EH	Skurka P/N 400SG1009-14EH	Bombardier	DHC-8-400 series